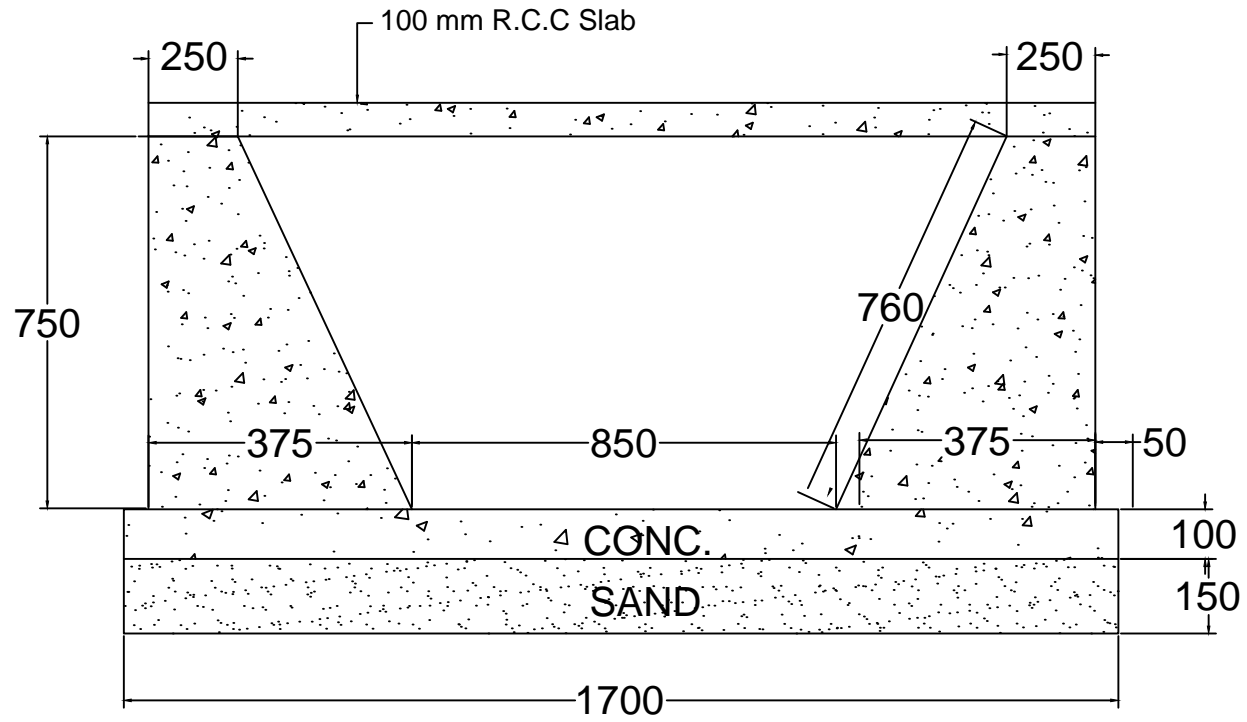


Probable Plan for construction of Conc. Drain



CROSS - SECTION OF CONC. DRAIN

All Dimension are in mm.